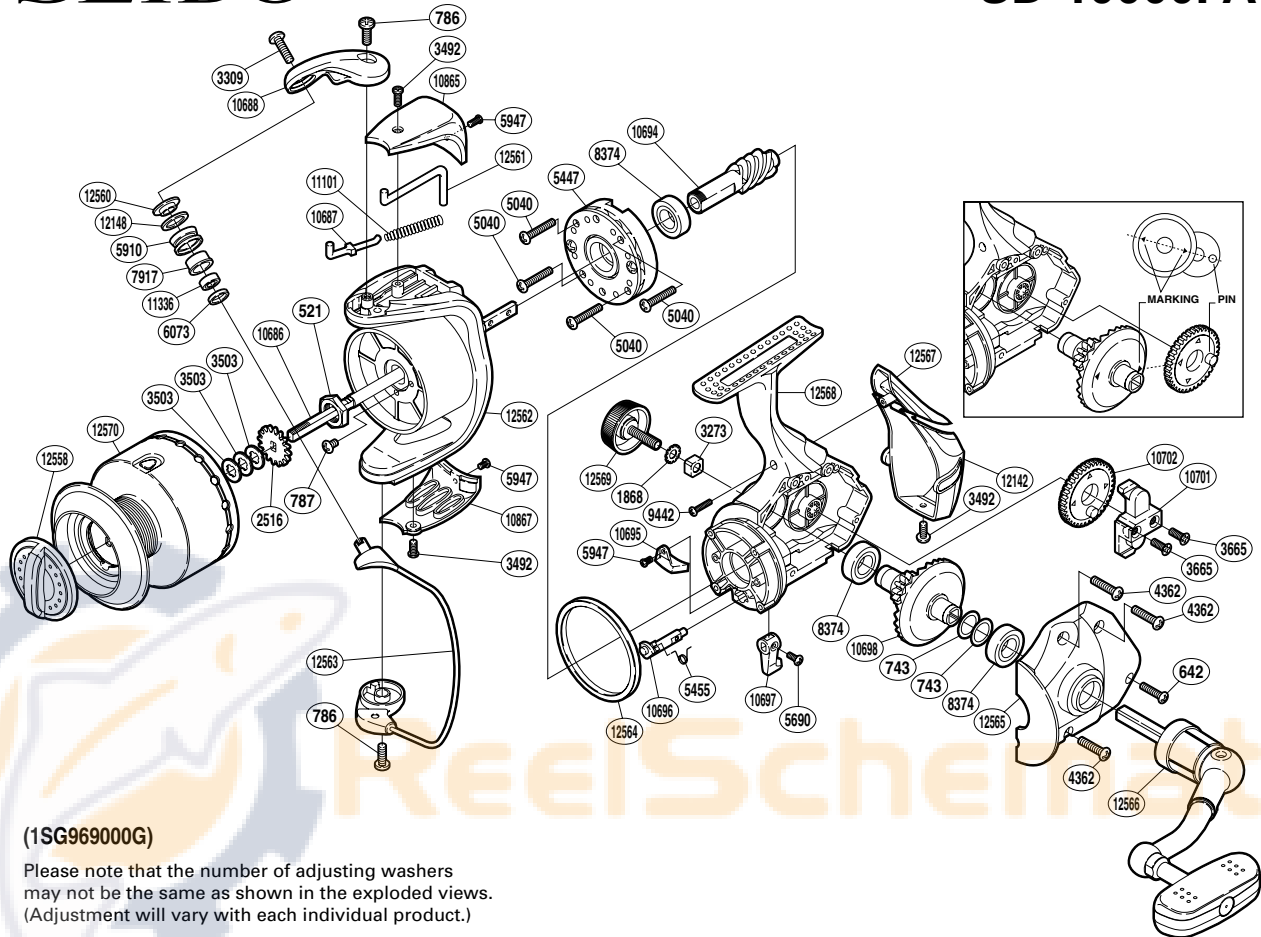


# SHIMANO

## SEIDO

### SD-10000FA



(1SG969000G)

Please note that the number of adjusting washers may not be the same as shown in the exploded views. (Adjustment will vary with each individual product.)

Part No.	Description	Part No.	Description	Part No.	Description
RD 0521	Rotor Nut	RD 5910	Line Roller	RD10867	Bail Hold Support Guard
RD 0642	Screw	RD 5947	Screw	RD11101	Bail Spring
RD 0743	Washer	RD 6073	Bearing Spacer	RD11336	Ball Bearing
RD 0786	Screw	RD 7917	Line Roller Bushing	RD12142	Rear Protector B
RD 0787	Screw	RD 8374	Ball Bearing	RD12148	Line Roller Spacer
RD 1868	Handle Lock Washer	RD 9442	Screw	RD12558	Drag Knob
RD 2516	Spool Support	RD10686	Main Shaft	RD12560	Line Roller Washer
RD 3273	Handle Screw Lock	RD10687	Bail Spring Guide A	RD12561	Bail Trip Lever
RD 3309	Screw	RD10688	Bail Arm	RD12562	Rotor
RD 3492	Screw	RD10694	Pinion Gear	RD12563	Bail Assembly
RD 3503	Spool Washer	RD10695	Bail Trip Strike	RD12564	Friction Ring
RD 3665	Screw	RD10696	Anti-Reverse Cam	RD12565	Side Cover
RD 4362	Screw	RD10697	Anti-Reverse Lever	RD12566	Handle Assembly
RD 5040	Screw	RD10698	Drive Gear	RD12567	Rear Protector A
RD 5447	Roller Clutch Assembly	RD10701	Oscillating Slider	RD12568	Body
RD 5455	Anti-Reverse Cam Spring	RD10702	Oscillating Gear	RD12569	Handle Screw Cap
RD 5690	Screw	RD10865	Bail Spring Cover	RD12570	Spool Assembly